

Алматы (7273)495-231  
Ангарск (3955)60-70-56  
Архангельск (8182)63-90-72  
Астрахань (8512)99-46-04  
Барнаул (3852)73-04-60  
Белгород (4722)40-23-64  
Благовещенск (4162)22-76-07  
Брянск (4832)59-03-52  
Владивосток (423)249-28-31  
Владикавказ (8672)28-90-48  
Владимир (4922)49-43-18  
Волгоград (844)278-03-48  
Вологда (8172)26-41-59  
Воронеж (473)204-51-73  
Екатеринбург (343)384-55-89  
Иваново (4932)77-34-06

Ижевск (3412)26-03-58  
Иркутск (395)279-98-46  
Казань (843)206-01-48  
Калининград (4012)72-03-81  
Калуга (4842)92-23-67  
Кемерово (3842)65-04-62  
Киров (8332)68-02-04  
Коломна (4966)23-41-49  
Кострома (4942)77-07-48  
Краснодар (861)203-40-90  
Красноярск (391)204-63-61  
Курган (3522)50-90-47  
Курск (4712)77-13-04  
Липецк (4742)52-20-81  
Магнитогорск (3519)55-03-13

Россия +7(495)268-04-70

Москва (495)268-04-70  
Мурманск (8152)59-64-93  
Набережные Челны (8552)20-53-41  
Нижний Новгород (831)429-08-12  
Новокузнецк (3843)20-46-81  
Новосибирск (383)227-86-73  
Ноябрьск (3496)41-32-12  
Омск (3812)21-46-40  
Орел (4862)44-53-42  
Оренбург (3532)37-68-04  
Пенза (8412)22-31-16  
Пермь (342)205-81-47  
Петрозаводск (8142)55-98-37  
Псков (8112)59-10-37

Казахстан +7(7172)727-132

Ростов-на-Дону (863)308-18-15  
Рязань (4912)46-61-64  
Самара (846)206-03-16  
Санкт-Петербург (812)309-46-40  
Саранск (8342)22-96-24  
Саратов (845)249-38-78  
Севастополь (8692)22-31-93  
Симферополь (3652)67-13-56  
Смоленск (4812)29-41-54  
Сочи (862)225-72-31  
Ставрополь (8652)20-65-13  
Сургут (3462)77-98-35  
Сыктывкар (8212)25-95-17  
Тамбов (4752)50-40-97

Киргизия +996(312)96-26-47

Тверь (4822)63-31-35  
Тольятти (8482)63-91-07  
Томск (3822)98-41-53  
Тула (4872)33-79-87  
Тюмень (3452)66-21-18  
Улан-Удэ (3012)59-97-51  
Ульяновск (8422)24-23-59  
Уфа (347)229-48-12  
Хабаровск (4212)92-98-04  
Чебоксары (8352)28-53-07  
Челябинск (351)202-03-61  
Череповец (8202)49-02-64  
Чита (3022)38-34-83  
Якутск (4112)23-90-97  
Ярославль (4852)69-52-93

crn@nt-rt.ru || <https://lcmeter.nt-rt.ru/>



## E-7 Valve

### Electronic Two-Stage Preset Valve



## Benefits

- Easier installation
- Faster response time
- Less maintenance

## Features

- Indeflexible design for 90° rotational adjustment of valve outlet.
- Interchangeability (same mounting dimensions) with the V-7 and K-7 mechanical valves.
- Two-stage operation for preset deliveries.
- Fast response for quick valve shut-off.

## General Information

The Liquid Controls E-7 Electronic, Two-Stage, Preset Valve is designed for refined fuel applications including gasoline, gasohol, diesel fuel, and fuel oil. The valve is available as part of a complete, new metering system with electronic registration or as a retrofit when upgrading from mechanical to electronic registration. The E-7 valve may be used with M5, M7, and M10 Class 1 meters.

The E-7 Series electronically-actuated piston valve is mounted on the meter outlet and provides a compact installation. The valve is operated by two solenoids. These solenoids control two-stage closure with a dwell period to eliminate hydraulic shock.

The valve solenoids are wired to a Liquid Controls LectroCount Electronic Register and are controlled by the register software. During a delivery, the valve opens to allow full flow through the meter. For preset deliveries, the full flow solenoid de-energizes at the point where dwell flow is activated. This reduces the flow rate through the meter. Once the delivery preset volume is reached, the valve fully closes without hydraulic shock to the system.



E-7 Valve



## E-7 Valve

### Specifications

**Temperature Rating**

-40° to 160°F (-40° to 71°C)

**Pressure Rating**

**Maximum non-shock working pressure**

150 PSI (10.3 BAR)

**Maximum differential pressure**

100 PSI (6.9 BAR)

**Environmental Rating**

NEMA 4X

**Flow Range**

150 GPM (568 L/min) for 30 SSU products

**Viscosity Range**

30 to 100 SSU

**Products**

**CLASS 1 Refined Fuels**

Gasoline, gasohol, diesel fuel, and

**CLASS 2 Aviation**

Avgas and

**Safety**

Designed to meet Class I, Division 2 requirements

**Materials of Construction**

**CLASS 1**

**Valve Body:** Aluminum

**Elastomers:** Viton O-rings, PTFE Seal,

Acetal

Wear Rings

**CLASS 2**

**Valve Body:** Anodized Aluminum

**Elastomers:** Viton O-rings, PTFE Seal, Acetal

Wear Rings

**Pilot Control System**

**CLASS 1**

Brass solenoids and fittings with flared copper tubing

**CLASS 2**

Stainless steel solenoids and fittings with flared stainless steel tubing

**Solenoids**

**Voltage:** +10.2 to 13.6 VDC  
+20.4 to 27.2 VDC

*optional*

**Current:** S1: 1 A  
S2: 2 A max

**Two-Stage Operation**

Minimum recommended volume for trickle stage flow

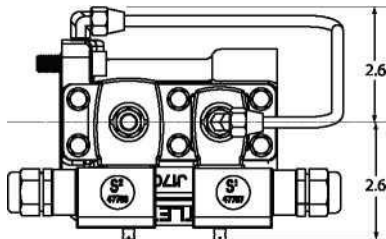
**M5 Meters:** 6 gallons (23 litres)

**M7 Meters:** 10 gallons (38 litres)

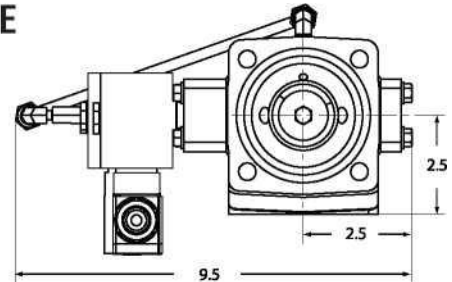
**M10 Meters:** 15 gallons (57 litres)

### Dimensions

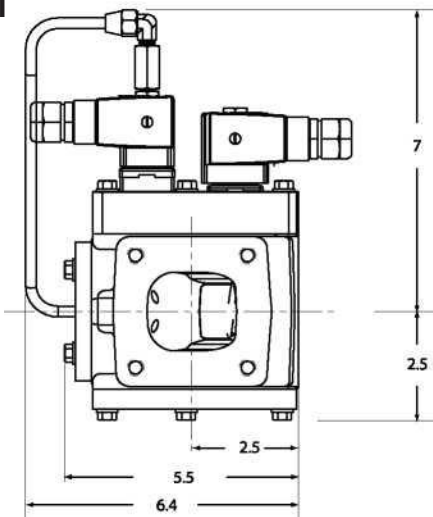
FRONT



SIDE



BOTTOM



Dimensions shown are not for construction use. Consult factory when certified engineering drawings are required.



## **LIQUID CONTROLS GROUP**



Алматы (7273)495-231  
Ангарск (3955)60-70-56  
Архангельск (8182)63-90-72  
Барнаул (3852)73-04-60  
Белгород (4722)40-23-64  
Благовещенск (4162)22-76-07  
Брянск (4832)59-03-52  
Владивосток (423)249-28-31  
Владикавказ (8672)28-90-48  
Владимир (4922)49-43-18  
Волгоград (844)278-03-48  
Вологда (8172)26-41-59  
Воронеж (473)204-51-73  
Екатеринбург (343)384-55-89  
Иваново (4932)77-34-06

Ижевск (3412)26-03-58  
Иркутск (395)279-98-46  
Казань (843)206-01-48  
Калининград (4012)72-03-81  
Калуга (4842)92-23-67  
Кемерово (3842)65-04-62  
Киров (8332)68-02-04  
Коломна (4966)23-41-49  
Кострома (4942)77-07-48  
Краснодар (861)203-40-90  
Красноярск (391)204-63-61  
Курган (3522)50-90-47  
Курск (4712)77-13-04  
Липецк (4742)52-20-81  
Магнитогорск (3519)55-03-13

Россия +7(495)268-04-70

Москва (495)268-04-70  
Мурманск (8152)59-64-93  
Набережные Челны (8552)20-53-41  
Нижегород (831)429-08-12  
Новокузнецк (3843)20-46-81  
Новосибирск (383)227-86-73  
Ноябрьск (3496)41-32-12  
Омск (3812)21-46-40  
Орел (4862)44-53-42  
Оренбург (3532)37-68-04  
Пенза (8412)22-31-16  
Пермь (342)205-81-47  
Петрозаводск (8142)55-98-37  
Псков (8112)59-10-37

Казахстан +7(7172)727-132

Ростов-на-Дону (863)308-18-15  
Рязань (4912)46-61-64  
Самара (846)206-03-16  
Санкт-Петербург (812)309-46-40  
Саранск (8342)22-96-24  
Саратов (845)249-38-78  
Севастополь (8692)22-31-93  
Симферополь (3652)67-13-56  
Смоленск (4812)29-41-54  
Сочи (862)225-72-31  
Ставрополь (8652)20-65-13  
Сургут (3462)77-98-35  
Сыктывкар (8212)25-95-17  
Тамбов (4752)50-40-97

Киргизия +996(312)96-26-47

Тверь (4822)63-31-35  
Тольятти (8482)63-91-07  
Томск (3822)98-41-53  
Тула (4872)33-79-87  
Тюмень (3452)66-21-18  
Улан-Удэ (3012)59-97-51  
Ульяновск (8422)24-23-59  
Уфа (347)229-48-12  
Хабаровск (4212)92-98-04  
Чебоксары (8352)28-53-07  
Челябинск (351)202-03-61  
Череповец (8202)49-02-64  
Чита (3022)38-34-83  
Якутск (4112)23-90-97  
Ярославль (4852)69-52-93